

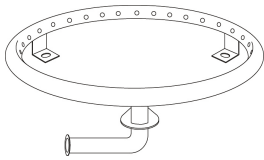


# Assembly Instructions

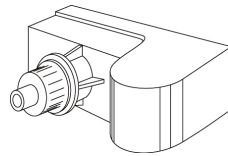
GARDENLINE®

## GAS FIRE PIT

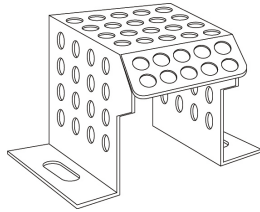




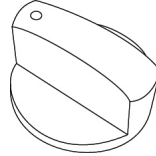
1



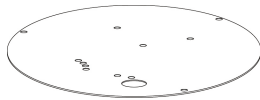
10



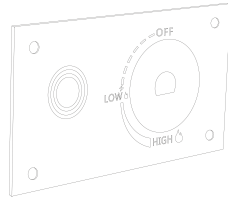
2



11



3



12



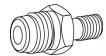
4



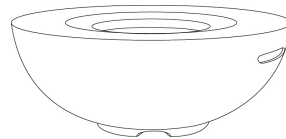
13



5



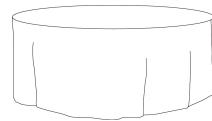
6



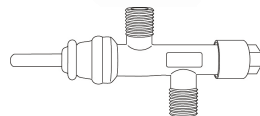
14



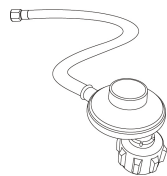
7



15



8



9

## Scope of delivery

Before starting to assemble, please check that all parts mentioned on the parts list are in the packaging. Unwrap all packaging materials and place components on top of carton box or on a clean floor to prevent it from scratching.

### Components

- 1 Burner
- 2 Guard
- 3 Burner Base (made of stainless steel)
- 4 Ignition Needles
- 5 Thermocouple
- 6 Injector
- 7 Corrugated Pipe
- 8 Gas valve
- 9 Lp Regulator
- 10 Ignitor
- 11 Control Knob
- 12 Control Panel
- 13 Lava rock
- 14 Concrete Fire Pit Bowl Base
- 15 Cover

## Table of content

<b>Overview</b> .....	<b>2</b>
<b>Scope of delivery</b> .....	<b>3</b>
<b>General information</b> .....	<b>5</b>
Reading and storing the assembly instructions.....	5
Intended use.....	5
Explanation of symbols.....	5
<b>Safety</b> .....	<b>6</b>
General safety information.....	6
Risk for persons.....	7
Safety notes fire pit.....	8
Before use.....	8
<b>Assembly instruction</b> .....	<b>9</b>
Step 1 Installing the battery.....	10
Step 2 Installing the gas tank.....	10
Step 3 Connecting gas tank.....	11
Step 4 Disconnecting the gas tank.....	12
Step 5 Put the lava rocks in place.....	13
Step 6 Adjusting the height.....	14
<b>Use</b> .....	<b>15</b>
Before using for first time.....	16
Regulator and hose.....	16
Connecting gas cylinder to appliance.....	17
Lighting your gas fire pit.....	17
Manual ignition.....	18
Care Cleaning.....	18
Storage.....	19
Troubleshooting.....	20
Technical Data.....	23

## General information

### Reading and storing the assembly instructions



These assembly instructions are a part of the Gas Fire Pit (hereinafter simply called "firepit" or "product"). They contain important information about assembly and use.

Read the assembly instructions carefully, in particular the safety instructions, before using the product. Failure to follow these assembly instructions may lead to severe injuries or product damage.

The assembly instructions are based on the standards and regulations that are valid with the country-specific directives and laws.

Keep the assembly instructions for future reference. If you pass this product on to a third party, you must also supply the assembly instructions.

### Intended use

The product is exclusively intended for outdoor use.

It is exclusively intended for private use and not for the commercial sector.

Only use the product as described in these assembly instructions. Any other use is considered improper and may lead to product damage or even personal injury. Do not modify the product. The product is not a toy.

The manufacturer or retailer assumes no liability for damage caused by improper or incorrect use.

### Explanation of symbols

The following symbols are used in these assembly instructions, on the product or on the packaging.

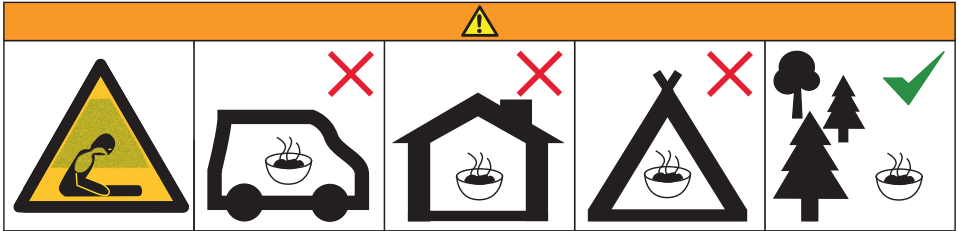


This symbol provides you with useful additional information on handling and use.



Declaration of conformity (see chapter "Declaration of conformity"): Products marked with this symbol meet all the applicable Community regulations of the European Economic Area.

## Safety



**WARNING!** Do not use the gas firepit in a confined and/or habitable space e.g. houses, tents, caravans, motor homes, boats. Danger of carbon monoxide poisoning fatality.

The following signal words are used in these assembly instructions.

**⚠ WARNING!**

This signal symbol/word denotes a hazard with an average risk level that could lead to death or severe injury if it is not avoided.

**⚠ CAUTION!**

This signal symbol/word denotes a hazard with a low risk level that could lead to mild or moderate injury if it is not avoided.

**NOTE!**

This signal word provides a warning about potential material damage.

### Safety notes

#### General safety notes

- **WARNING!** This Gas Firepit will become very hot, do not move it during operation.
- **Do not** use indoors!
- **Do not** use in covered areas!
- Only use the Gas Firepit at a safe distance from flammable materials (at least 1.5 m). Flammable materials include furniture or wooden structures, for instance.
- Never use water to extinguish burning grease! Turn the control knob to 'OFF'
- Allow the Gas Firepit to cool down completely before cleaning.

- 
- Screw connections may come loose during use, which can impair the stability of the Gas Firepit. Therefore, you must check that the screws are properly tightened before each use.
  - If necessary, retighten all screws to ensure that the barbecue is secure.
  - **Do not** use charcoal or any fuel other than liquid gas (propane, butane) to power the Gas Firepit.
  - **Do not** smoke while using the product.

#### Risks for persons

- This gas firepit may be used by persons with reduced physical, sensory or mental abilities or lack of experience or knowledge
- If they have been supervised or instructed in the safe use of the appliance and have understood the risks arising.
- Keep packaging film, styrofoam, or small parts away from children. Danger of suffocation!
- **WARNING!** Keep children and pets away!
- The gas firepit gets hot while in operations and should never be left unattended.
- **Do not** wear clothing with loose flowing sleeves while lighting or using the firepit.
- Never bend over the hot gas firepit during operation.
- The use of alcohol, prescription, or nonprescription drugs may impair the consumer's ability to properly assemble or safely operate the gas firepit.
- Never touch metal parts. They may be very hot.
- Touch the gas firepit only on the handles.
- The gas firepit may have sharp edges where you could cut yourself. Use working gloves when unpacking, assembling, cleaning and maintaining the fire pit.

**Safety notes for Fire Pit**

- **WARNING!** Turn off the gas supply at the gas cylinder after use.
- **WARNING!** Gas cylinders must be stored outdoors out of the reach of children and must not be stored in a building, garage or any other enclosed space.
- **WARNING!** After a period of storage and/or no use, the fire pit should be checked for gas leaks and burner obstructions before use.
- **Do not** store or use petrol or other flammable liquids or vapours in the vicinity of this barbecue or any other appliance.
- **Do not** store unconnected gas cylinders in the vicinity of this Gas firepit or any other appliance.
- Storage of the Gas firepit indoors is permissible only if the gas cylinder is disconnected and removed from the gas firepit

**Before use**

- Position the gas firepit on a secure, stable and level surface.
- Never set up the gas firepit near entranceways or areas with heavy foot traffic, such as pathways.
- **Do not** transport the gas firepit while it is hot.
- For safety reasons, you must not use liquid fuel to power the gas firepit.
- Always keep a fire extinguisher and first-aid kit nearby so that you are prepared to deal with fire or accidents.

## Assembly instruction

**⚠ CAUTION!**

### **Risk of injury!**

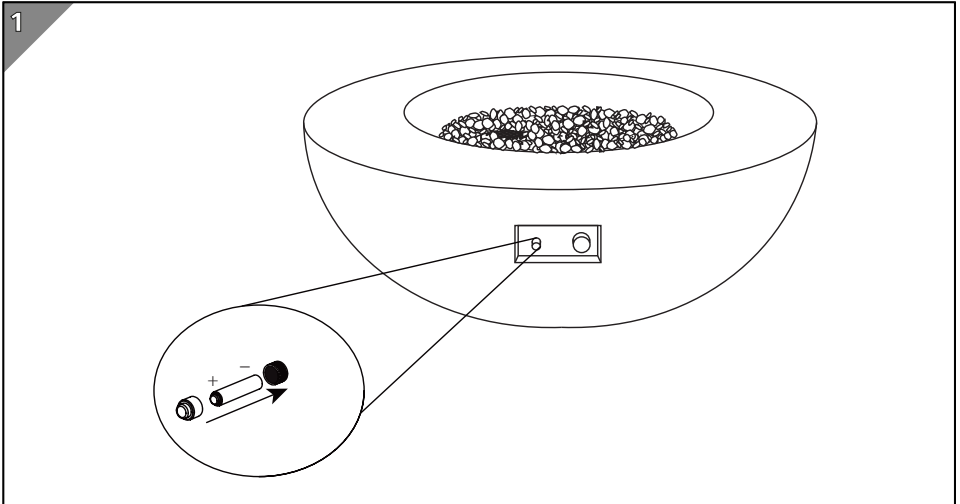
Some parts of the product might have sharp edges. Touching these parts can cause cuts.

- Wear protective gloves!



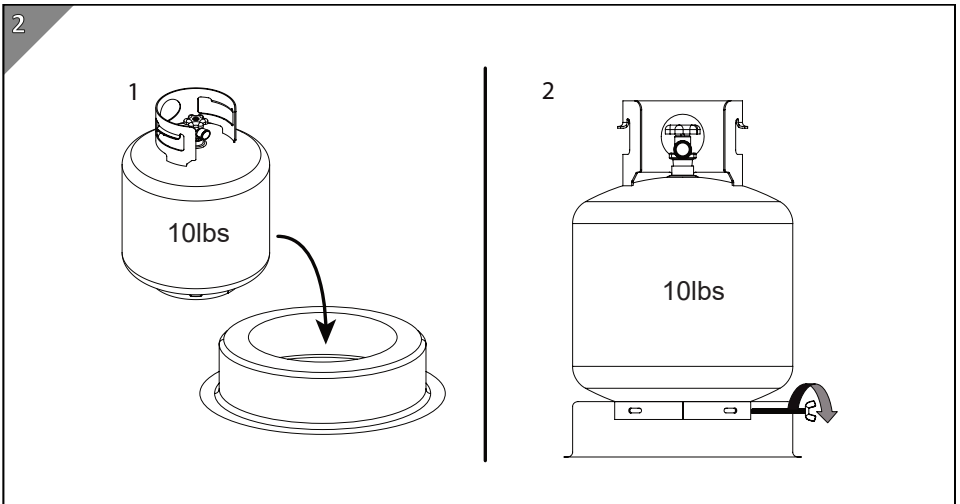
Wear protective gloves during assembly.

## Step 1: Installing the battery



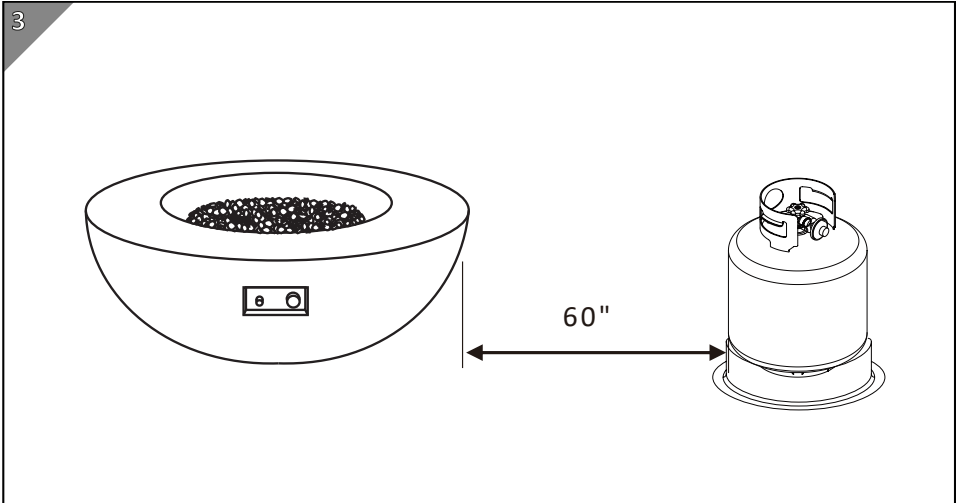
1. Make sure the gas supply system is switched OFF.
2. Install the AAA battery, as shown in the diagram, into the control panel **12**.

## Step 2: Installing the gas tank



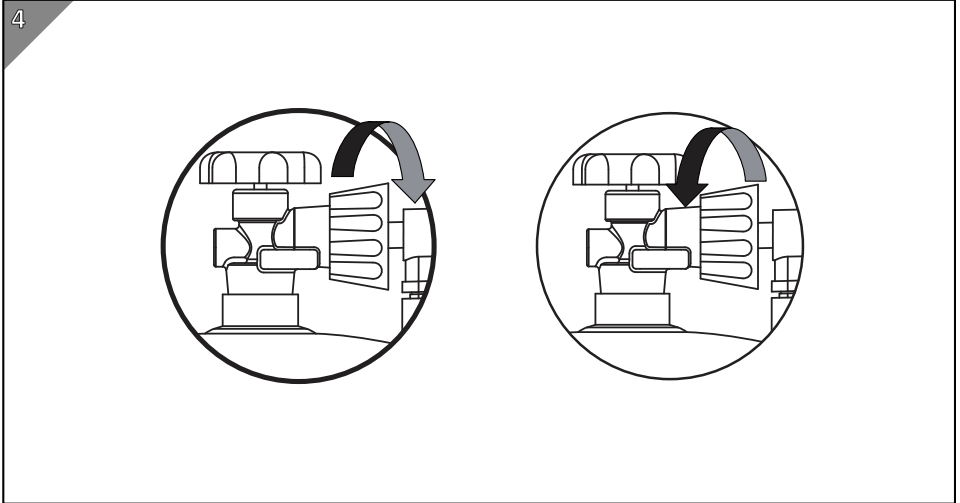
1. Place the tank holder (sold separately) on the ground and place a 10lb. gas tank into the tank holder.
2. Tighten down the screw on the side of the tank seat to secure the propane tank.

## Step 3: Connecting the gas tank



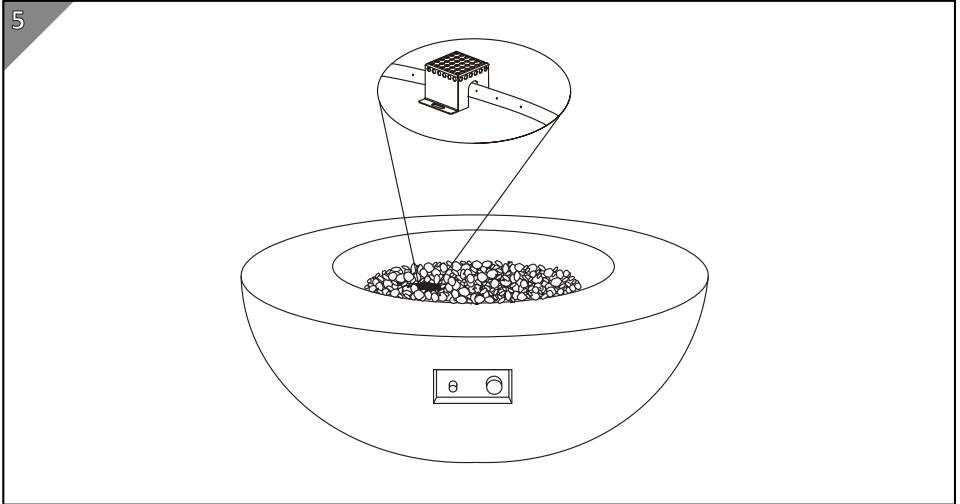
1. Check to make sure there is no debris in the head of the gas tank and in the head of the regulator valve **9**.
2. Make sure you check the burner **1** and burner ports as well.
3. Connect the gas line to the tank by turning the knob clockwise. Make sure you hand tighten the knob, do not use (hand) tools.

## Step 4: Disconnecting the gas tank



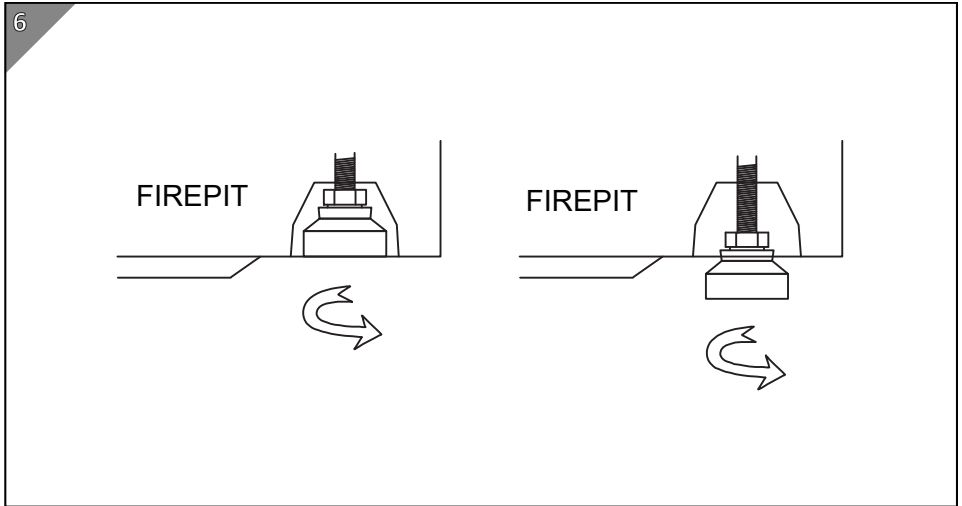
1. Make sure the valve on the gas tank is turned OFF
2. Disconnect by turning the knob counter clockwise until it is detached from the valve.

## Step 5: Put the lava rocks in place



1. Put the lava rocks **13** into the fire by hand.
2. Make sure you don't dump the bag into the firebox in **1** go.  
Otherwise filth will get into the burner **1**.
3. Position the lava rocks to a level about 1" (1 inch) above the top of the burner **1**.
4. Make sure you do not block the igniter box with lava rocks **13**.  
Otherwise the firepit will not light properly.

## Step 6: Adjusting the height



- 1.The adjustable legs are pre-assembled under the firebox.
- 2.Adjust the height of the feet to ensure the firebox is level.
- 3.Adjust the height of the feet by turning to the left.
- 4.Turning the feet to the left lowers the firebox in height.

## Use

### **WARNING!**

#### **Risk of burning**

This fire pit gets very hot! There is a risk of burns if it is touched.

- Use heat-resistant barbecue mitts or gloves (conforming to EN 407, Contact Heat rating level 2 or greater) while cooking.
- Always use barbecue tools with a long, heat-resistant handle to set down and turn items on the firepit.
- Never touch the grill rack or the firepit to find out if it is hot.
- Let the steam escape when you open the lid.
- **WARNING!** Keep children and pets away!
- Activate the brakes on the casters as soon as the firepit has been positioned in its place of use.

### **WARNING!**

#### **Risk of fire**

The firepit will be hot during use! Combustible materials nearby may ignite.

- Do not use indoors!
- Do not use under roofed areas.
- Make sure there are no combustible fumes or liquids, such as petrol, alcohol, etc., in the vicinity of the firepit,
- Do not use this firepit within 1.5 m of any combustible material. Combustible materials include, but are not limited to, wood or treated wood decks, patios, and porches.
- Do not use the firepit in high winds.
- Have a fire extinguisher ready.

## Before using for the first time

**Warning!** Before using this outdoor fire table, make sure you have read, understand and are following all information provided in the Important Safety Information section of this manual. Failure to follow those instructions can cause death, serious injury or property damage. Prior to each gas fireplace operation, check the hose and valve for evidence of excessive abrasion or wear through the visual check hole on the side of the base. Replace visual check cap prior to operating fireplace.

## Buner connections

Make sure the regulator valve and hose connections are securely fastened to the burner and the tank. If your unit was assembled for you, visually check the connection between the burner pipe and orifice. Make sure the burner pipe fits over the orifice. **WARNING:** Failure to inspect this connection or follow these instructions could cause a fire or an explosion. Failure to position the parts in accordance with these diagrams or failure to use only parts specifically approved with this appliance may result in property damage or personal injury.

## Regulator and hose

Use only regulators and hoses that are approved for LPG at the specified pressures (see "Technical data"). The estimated lifespan of the regulator is 5 years. It is recommended that you replace the regulator within 5 years of its date of manufacture. Using an incorrect regulator or hose is unsafe. Always make sure that you have the correct equipment before you use the grill. The hose used must comply with the applicable standard in the country of use. The length of the hose must not exceed 1.5 m. If the hose is worn or damaged, it must be replaced. Make sure that the hose is not blocked, kinked or connected to any part of the grill other than the connector. The hose must not be twisted or kinked when it is attached to the gas canister. It is not permitted for any part of the hose to come into contact with any part of the device. Position the gas canister in the product at the maximum distance permitted by the hose length.

## Connecting the gas cylinder to the appliance

This product is only suitable for use with low-pressure butane or propane gas and fitted with the appropriate lowpressure regulator via a flexible hose. The hose should be secured to the regulator and the appliance with hose clips. This fire pit is set to operate a 28 mbar regulator with butane gas or a 37mbar regulator with propane gas or a regulator with propane mixture at 30mbar. Use a suitable regulator certified to BS EN 16129-2013. Please consult your LPG dealer for information regarding a suitable regulator for the gas cylinder.



You find suitable gas cylinders in chapter "Technical data".

**⚠ WARNING!**

**- Never check for leaks with a naked flame, always use a soapy water solution.**

1. Make a leak check solution by mixing 1 part of dish washing soap with 3 parts water in a spray bottle.
2. Make sure the control knob is turned "OFF." Then, turn the gas tank to "ON" at the valve.
3. Spray the leak solution on the valve connections paying particular attention to the areas indicated by arrows.
4. If any bubbles appear turn the gas tank OFF, reconnect and re-test. If there is no show of bubbles after one minute turn the tank OFF, wipe away the solution with washing soap and proceed.

## Lighting your fire pit

### Integrated ignition

**⚠ WARNING!**

### **Risk of a sting flame or explosion of unignited gas/air mixture!**

The residual gas/air mixture of a previously failed ignition can be ignited and can lead to a sting flame or explosion.

- If any burner fails to ignite, turn the control knob off (clockwise) and also turn the cylinder valve off. Wait five minutes before attempting to relight with ignition sequence.

### Igniting the burners using the integrated igniter

1. Turn the control knob to the "OFF" .
2. Turn on the gas supply at the canister or the regulator switch, depending on the regulator connection type and in accordance with the user manual. Use soapy water to check for leaks in the connection between the gas canister and regulator, and in the inlet from hose to fire pit hose. If there is a leak, bubbles will form at the affected area. Do not use the barbecue if you discover a leak. Contact your gas or fire pit supplier.
3. To ignite the burner, push and hold the igniter button to create sparks. While holding the igniter button with one hand, use your other hand to push and turn the control knob to the ' LOW' position to light the burner. If the burner is not lit, repeat this process.  
If the burner is still not lit after two attempts, turn off the gas tap and wait 5 minutes before repeating the ignition sequence.
4. Once the burner is lit, continue to push the control knob for another 20 seconds and then release.

### Manual ignition

If necessary this firepit can be lit manually.

### Igniting the burners manually

1. Prior to lighting, use a shovel to move lava rocks for access to the burner.
2. Wearing heat resistant gloves, position the burning long match or burning butane lighter near the side of the burner. **DO NOT** lean over the fire table while lighting!
3. Light a 90-mm lighter and push and turn the control knob to the 'LOW' position to light the burner. If the burner is not lit, repeat this process.
4. After lighting, use a shovel and heat resistant gloves to carefully move the lava rocks back into their proper position.

### Tanking the gas fire pit

1. Turn and push the control knob clockwise to the "OFF" position.
2. Turn the cylinder valve on the gas tank clockwise to close.

### Care and Cleaning

Inspecting

This outdoor gas firepit must be inspected regularly to insure that the product is safe to use and to extend the product life.

**⚠ WARNING!**

1. Check the burner to make sure it is securely in place.
2. Check the air mixer to make sure it is clear and free of insects, spider nests and other debris(see picture).
3. Check all gas connections for leaks.
4. Check the ignition system to ensure proper sparking.
5. Check the components for any signs of damage, rust or excessive wear.
6. If you discover any damage to any component is detected, **DO NOT** operate until the proper repairs have been made.

**DO NOT** inspect this outdoor fireplace until the fire is COMPLETELY out.

### General care and cleaning

This outdoor gas firepit should be cleaned regularly to ensure safe use and extend product life. **Note:** After repeated use, a slight discoloration of the finishes may occur.

#### Table

1. Wipe exterior surfaces with a mild dish washing soap or baking soda, then rinse clean with water.

#### Stainless Steel

1. For general cleaning use warm water, soap, ammonia, or detergent apply with a soft cloth or sponge
2. For finger prints or smears use 3M Stainless Steel Cleaner and Polish, Arcal 20, Lac-O-Nu, LuminWash, O’Cedar Cream Polish, or Stainless Shine, this will provide a barrier file to minimize fingerprints.
3. For stubborn stains and discoloration use 3M Stainless Steel Cleaner and Polish, Allchem Concentrated Cleaner, Samae, Twinkle, Cameo Copper Cleaner, Liquid Nu Steel, Copper’s or Revere Stainless Steel Cleaner, apply using a soft cloth in the same direction of the polish lines.
4. While using in salt air environments we recommend cleaning all stainless steel surfaces at least every two weeks to keep the item in prime condition. Stainless steel is corrosion-resistant but it is not impervious to rust. Exposure to salt air and sea spray will cause surface rust if you do not care for your products properly. The best thing you can do to protect the stainless steel is to clean it frequently.  
\* Use of proprietary names is intended only to indicate a type of cleaner and does not constitute endorsement. Omission of any proprietary cleanser does not imply it's inadequacy. All products should be used in strict accordance with instructions on package.

 **WARNING!**

#### Storage

**DO NOT** move or store this fire table unless the fire is COMPLETELY out and cool to the touch.

1. Turn gas OFF at tank connection. Remove tank and store in a cool, dry location outdoors, away from children.
2. Carefully remove rock filler and store components flat to protect them from breakage.
3. **ALWAYS** cover your outdoor fire table when not in use.
4. Store in a cool, dry location away from children and pets.

## Troubleshooting

<b>Problem</b>	<b>Possible Cause</b>	<b>Solution</b>
Burners will not light using the ignition system.	Electrodes and burners are wet.	Wipe the burner dry with a cloth.
	the igniter battery is dead or incorrectly inserted.	Check if that the AAA battery is inserted correctly in the igniter (see page 10 or replace the battery.
	Wire loose or disconnected.	Reconnect wire. (See step 1, page 10)
Burner will not light using a match	There is no gas flow.	The gas tank could be empty, check your gas tank. If the tank is empty, replace or refill it. If the gas tank is not empty, refer to the problem: 'Sudden drop in gas flow'.
	Coupling nut and regulator are not fully connected.	Turn the coupling nut about one half to three fourths a turn, until you feel a solid stop. Do not use tools, tighten the nut by hand only.
	Obstruction of the gas flow.	Check for a bent or a dent in the gas hose.
	Spider webs or insect nest are in the air mixer.	Clean the Air mixer.
	Burner ports are clogged or blocked.	See problem: 'Irregular flame pattern'.

## Troubleshooting

<b>Problem</b>	<b>Possible Cause</b>	<b>Solution</b>
The Fire Table emits a lot of black smoke when in use.	The hose from the gas fireplace is pinched.	Make sure the gas hose is not pinched between the fire table and the source of the gas.
	The flame is being obstructed at the burner ports.	Make sure that the gas ports on the burner are free of any lava rocks so that the flame can flow naturally.
Sudden drop in gas flow, or a reduced flame height.	The Gas tank is out of gas.	Refill your Gas Tank.
	The excess flow safety device may have been activated.	Turn the control knob to "OFF" and wait for 30 seconds and light the outdoor fireplace. If the flames are still too low, reset the excessive flow safety device by turning off the control knob and gas tank valve. Disconnect the regulator. Turn the burner control knob to "HIGH". Wait 1 minute. Turn the burner control knob off . Reconnect the regulator and perform a leak check at the tank connection. Turn the gas tank valve on slowly, wait for 30 seconds and then light the outdoor fire table.

## Troubleshooting

Problem	Possible Cause	Solution
The irregular flame pattern, the flame does not run the full length of the burner.	The burner ports are clogged or blocked.	<p>Clean the burner ports. Do this by inserting a paperclip into each of the burner ports to ensure they are not clogged.</p> <p>WARNING: Make sure burner is not on and the gas supply has been properly disconnected. Allow 15 minutes for unit to cool before touching it.</p>
Flame blow out.	High or gusting winds.	Increase the control knob to "HIGH" .
	Low on gas.	Replace or refill the gas tank.
	The flow limiter is switched off.	Refer to 'Sudden drop in gas flow'.
The flame seems to lose heat when burning in cold weather - temperature below 50°F.	Ice has built up on the outside of the gas tank because the vaporization process is too low.	Turn the control knob and the gas tank to "OFF". Replace a spare gas tank and resume burning. Store the spare gas tank in a well ventilated area, away from children

## Storage

1. Allow the product to cool completely and clean it according to chapter "Cleaning".
2. Clean the product and allow it to dry completely before covering.
3. Store the product at a dry place protected from the elements.

## Technical data

Model:	GF-001 (HLZ-0018)
Item number:	726656
Grill dimensions (L x D x H):	Not applicable
Gas Fire Pit Dimensions (L x D x H); Fuel	D 106 x H 40 cm; Propane gas
Battery for control knob:	AAA battery (not included)
Total heat input (all gas categories):	14,65kW (1251 g/h)
Gas category:	13+(28-30/37)
Gas type:	Propane
Gas pressure:	37 mbar
Injector size (main burner):	Burner 2.06 mm Diameter
Injector size (side burner):	
Country of destination:	GB (United Kingdom)
Gas cylinder dimensions inclusive regulator (D x H):	Not applicable
Gas cylinder weight (filled):	Not applicable

## Disposal

### Disposing of packaging



Dispose of packaging according to type. Sort the paperboard and cardboard as waste paper and the film as recyclable material.

### Product disposal

Dispose of the product in line with the guidelines and disposal regulations applicable in your country.



Great care has gone into the manufacture of this product and it should therefore provide you with years of good service when used properly. In the event of product failure within its intended use over the course of the first 3 years after date of purchase, we will remedy the problem as quickly as possible once it has been brought to our attention. In the unlikely event of such an occurrence, or if you require any information about the product, please contact us via our helpline support services, details of which are to be found both in this manual and on the product itself.



ALDI STORES LTD. PO BOX 26,  
ATHERSTONE WARWICKSHIRE, CV9 2SH

---

Visit us at [www.aldi.com](http://www.aldi.com)

**AFTER SALES SUPPORT**

726656



**GB** 0121 36 80 339



support\_aldi\_ubgdistribution.com  
www.ubgsupport.com

MODEL:

GF-001 (HLZ-0018)

04/2023

**3**  
**YEAR**  
**WARRANTY**