

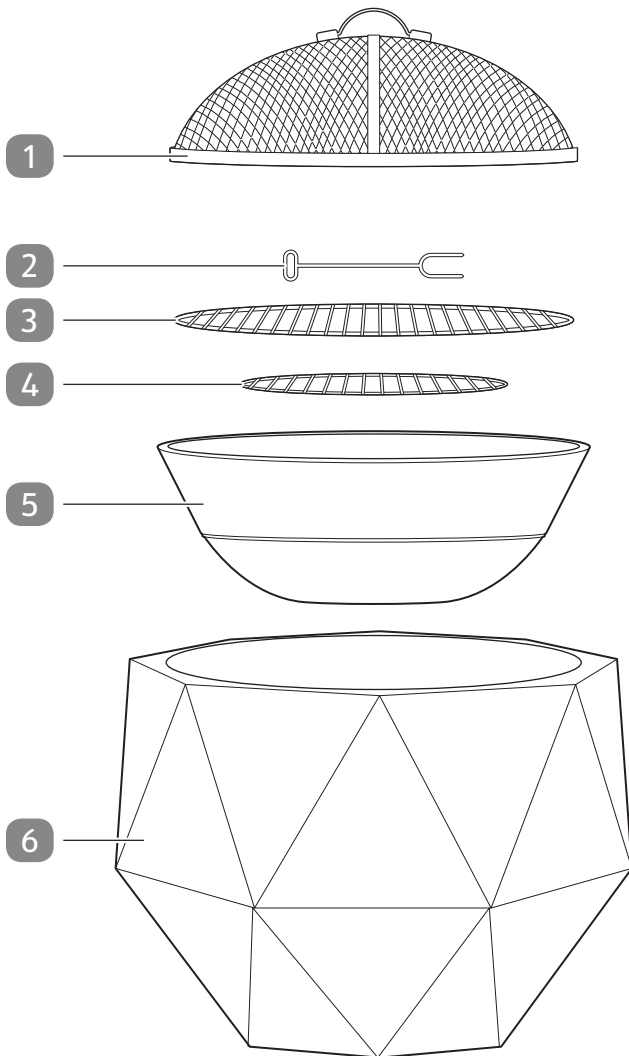


Assembly Instructions

GARDENLINE®

GEO FIRE PIT





Scope of delivery

Before starting to assemble, please check that all parts mentioned on the parts list are in the packaging. Unwrap all packaging materials and place components on top of carton box or on a clean floor to prevent it from scratching.

Components

- 1 Lid
- 2 Poker
- 3 Cooking Grid
- 4 Fuel Grate
- 5 Fire Bowl
- 6 Body

Table of content

Overview	2
Scope of delivery	3
General information	5
Reading and storing the assembly instructions.....	5
Intended use.....	5
Explanation of symbols.....	5
Safety	5
Safety notes.....	6
Assembly instruction	8
Use	9
Before Use.....	10
Prepare And Light The Firepit.....	10
Grilling.....	11
Refilling charcoal.....	11
Cleaning	12
Storage	13
Technical data	13
Disposal	13
Disposing of packaging.....	13
Product disposal.....	13

General information

Reading and storing the assembly instructions



These assembly instructions are a part of the Geo Fire Pit (hereinafter simply called "firepit" or "product"). They contain important information about assembly and use.

Read the assembly instructions carefully, in particular the safety instructions, before using the product. Failure to follow these assembly instructions may lead to severe injuries or product damage.

The assembly instructions are based on the standards and regulations that are valid with the country-specific directives and laws.

Keep the assembly instructions for future reference. If you pass this product on to a third party, you must also supply the assembly instructions.

Intended use

The product is exclusively intended for outdoor use to cook, broil or heat food.

It is exclusively intended for private use and not for the commercial sector.

Only use the product as described in these assembly instructions. Any other use is considered improper and may lead to product damage or even personal injury. Do not modify the product. The product is not a toy.

The manufacturer or retailer assumes no liability for damage caused by improper or incorrect use.

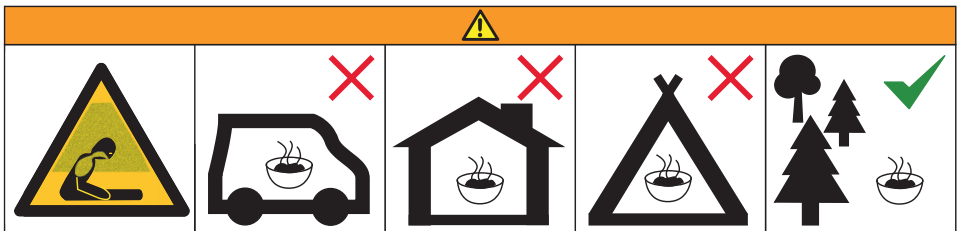
Explanation of symbols

The following symbols are used in these assembly instructions, on the product or on the packaging.



This symbol provides you with useful additional information on handling and use.

Safety



Safety

WARNING! Do not use the product in a confined and/or habitable space e.g. houses, tents, caravans, motor homes, boats. Danger of carbon monoxide poisoning fatality. The following signal words are used in these assembly instructions.

WARNING!

This signal symbol/word denotes a hazard with an average risk level that could lead to death or severe injury if it is not avoided.

CAUTION!

This signal symbol/word denotes a hazard with a low risk level that could lead to mild or moderate injury if it is not avoided.

NOTE!

This signal word provides a warning about potential material damage.

Safety notes

General Safety Notes

- **WARNING!** This product will become very hot, do not move it during operation.
- Do not use indoors!
- Do not use this product under any overhead combustible construction.
- **WARNING!** Do not use spirit or petrol for lighting or re-lighting! Use only firelighters complying to EN 1860-3!
- Do not use this product within 1.5 m of any combustible material. Combustible materials include, but are not limited to, wood or treated wood decks, patios, and porches.
- Use heat-resistant mitts or gloves (conforming to EN 407, Contact Heat rating level 2 or greater) while cooking, adding charcoal and handling the lid.
- Use proper tools, with long, heat-resistant handles.
- Do not use water to extinguish bruning fat.
- Never dump hot charcoal or ashes where it might be stepped on or be a fire hazard.
- Never dump ashes or charcoal before they are fully extinguished.
- Allow the product to cool down completely before cleaning it.

Risks for persons

- This product may be used by persons with reduced physical, sensory or mental abilities or lack of experience or knowledge if they have been supervised or instructed in the safe use of the appliance and have understood the risks arising.
- Keep packaging film, styrofoam, or small parts away from children. Danger of suffocation!
- **WARNING!** Keep children and pets away!
- The product will be hot during cooking, and should never be left unattended.
- Do not wear clothing with loose flowing sleeves while lighting or using the product.
- Never bend over the hot product during grilling.
- The use of alcohol, prescription, or nonprescription drugs may impair the consumer's ability to properly assemble or safely operate the product.
- Never touch metal parts. They may be very hot.
- The product may have sharp edges where you could cut yourself. Use working gloves when unpacking, assembling, cleaning and maintaining the product.

Before Use

- Keep the product on a secure, level surface at all times, clear of combustible material.
- Do not place the product close to entrances or busy areas, such as roads.
- The product must not be transported while it is still hot!
- Do not use the product with liquid fuels.
- Be prepared for a fire or an accident. Always have a fire extinguisher and a first aid kit ready.
- Max. fuel capacity: 1.1kg of charcoal.

Instructions for lighting

- Build a pyramid of charcoal in the centre of the fuel grate and insert a couple of lighter cubes according to EN 1860-3 within the pyramid.

- Always put charcoal on top of the fuel grate. Do not put charcoal directly in the bottom of the bowl.
- Light the charcoal in an area protected from wind.
- Use a long match or lighter, light the lighter cubes.
- It is recommended that the product be heated up and the charcoal kept red hot for at least 30 minutes prior to cooking for the first time.
- Do not cook before the charcoal has a coating of ash.

Assembly instruction

▲ CAUTION!

Risk of injury!

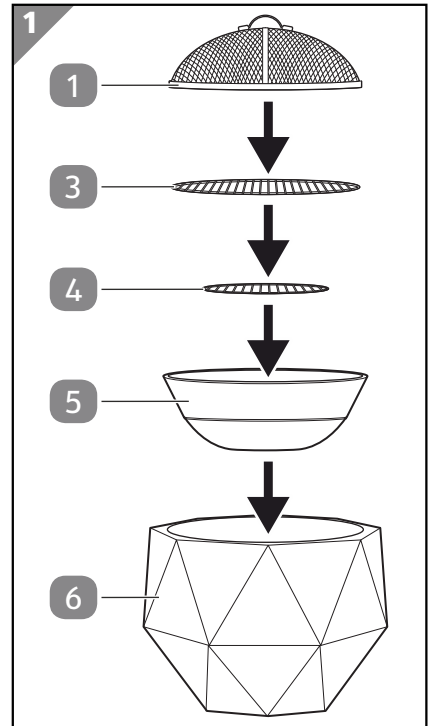
Some parts of the product might have sharp edges. Touching these parts can cause cuts.

- Wear protective gloves!



Wear protective gloves during assembly.

1. Place the Fire Bowl **5** in the Body **6**.
2. Place the Fuel Grate **4** and the Cooking Grid **3** inside the Fire Bowl.
3. Put the Lid **1** on top of the Fire Bowl.



Use

⚠ WARNING!

Risk of burns

This product will become very hot! Touching may cause burn injuries.

- Use heat-resistant mitts or gloves (conforming to EN 407, Contact Heat rating level 2 or greater) while cooking, adding charcoal and handling the lid.
- Use proper tools, with long, heat-resistant handles.
- Never touch the cooking grid or fuel grate, ashes, charcoal, or the product to see if they are hot.
- **WARNING!** Keep children and pets away!

⚠ WARNING!

Risk of fire

The product will be hot during cooking! Combustible materials nearby may ignite.

- Do not use indoors!
- Do not use under roofed areas.
- Make sure there are no combustible fumes or liquids, such as petrol, alcohol, etc., in the vicinity of the product.
- Do not use this product within 1.5 m of any combustible material. Combustible materials include, but are not limited to, wood or treated wood decks, patios, and porches.
- Do not use the product in high winds.
- Have a fire extinguisher ready.

Before Use

- Keep the product on a secure, level surface at all times, clear of combustible material.
- Do not place the product close to entrances or busy areas, such as roads.
- The product must not be transported while it is still hot!
- Do not use the product with liquid fuels.
- Be prepared for a fire or an accident. Always have a fire extinguisher and a first aid kit ready.
- Max. fuel capacity: 1.1kg of charcoal.

Prepare And Light The Firepit

Observe the safety notes, especially „Before Use“ and „Instructions for lighting“

1. Keep the product on a secure, level surface at all times, clear of combustible material.
Do not place the product close to entrances or busy areas, such as roads.
2. Open the Lid **1** and remove the Cooking Grid **3**.
3. Place the Fuel Grate **4**.

4. Build a pyramid of charcoal in the centre of the Fuel Grate and insert a couple of lighter cubes according to EN 1860-3 within the pyramid.

WARNING! Do not use spirit or petrol for lighting or re-lighting! Use only firelighters complying to EN 1860-3!

For safety reasons, the product must not be operated with liquid fuel.

Never place more than the maximum permissible amount of charcoal in the product, see "Technical data".

Always put charcoal on top of the fuel grate. Do not put charcoal directly in the bottom of the fire bowl.

5. Only light charcoal in wind-protected areas.
6. Use a long match or lighter, light the lighter cubes.
7. After approx. 30 minutes the charcoal is fully lit when it is covered with a coating of white ash. Then spread the charcoal evenly across the fuel grate.

The product is prepared for cooking.


Grilling



Do not cook before the charcoal has a coating of ash.

- When finished cooking extinguish the charcoal.
- Allow the product to cool completely and clean it according to chapter "Cleaning".

Refilling charcoal

Grilling time can be extended by refilling charcoal. Make sure that enough embers are still available on the Fuel Grate  to reignite the added charcoal.

 **WARNING!**

Risk of burns by flashes

Improper refilling of the grill with charcoal may cause burn injuries.

- Use heat-resistant mitts or gloves (conforming to EN 407, Contact Heat rating level 2 or greater) while cooking, adding charcoal and handling the lid.
- Do not place lighter cubes on the embers or the refilled charcoal.

Use

1. Open the Lid **1** and remove the Cooking Grid **3** with the Poker.
CAUTION! The Cooking Grid is hot! Use heat-resistant mitts or gloves to prevent burn injuries!
2. Place the Cooking Grid on a heat resistant surface. Keep others away from the hot cooking grid!
3. Carefully refill charcoal on the Fuel Grate **4**. Make sure not to add too much charcoal.
4. Reinstall the cooking grid.
5. As soon as the smoke has settled and the charcoal is completely burning, you can continue cooking.



Do not cook before the charcoal has a coating of ash.

Cleaning

⚠ WARNING!

Risk of burns

This product will become very hot! Touching may cause burn injuries.

- Allow the product to cool completely before cleaning!

Clean the cooled product after each use. Discoloration on the lid, the fuel grate and other parts are normal signs of use and are neither hygienically questionable nor a defect.



Do not use flammable or aggressive detergents, steel brushes, abrasives, or other hard objects that could scratch the surfaces.



Do not remove ashes until all charcoal is completely burned out and fully extinguished and product is cool.

1. Allow the product to cool completely before cleaning!
2. Open the Lid **1** and remove the Cooking Grid **3**.
3. Empty and remove the Fuel Grate **4**.
4. Empty the Fire Bowl **5**.

Remove the completely cooled ash regularly. As ash contains salt, it can cause rust when wet!

5. Clean the parts by hand with commercially available dishwashing detergent. In the case of heavy or burned soiling, also use special degreasing kitchen cleaners (observe instructions of the respective manufacturer!).
6. Clean the inside and outside surfaces with warm soapy water and a sponge.
7. Allow all parts to dry completely before reinstalling.

Storage

1. Allow the product to cool completely and clean it according to chapter “Cleaning”.
2. Clean the product and allow it to dry completely before covering.
3. Store the product at a dry place protected from the elements.

Technical data

Model:	GF-001
Dimensions (W × D × H):	61 × 61 × 56 cm
Weight:	approx. 14 kg
Fuel:	Charcoal
Max. fuel capacity:	1.1 kg
Item number	718358

Disposal

Disposing of packaging



Dispose of packaging according to type. Sort the paperboard and cardboard as waste paper and the film as recyclable material.

Product disposal

Dispose of the product in line with the guidelines and disposal regulations applicable in your country.



Great care has gone into the manufacture of this product and it should therefore provide you with years of good service when used properly. In the event of product failure within its intended use over the course of the first 3 years after date of purchase, we will remedy the problem as quickly as possible once it has been brought to our attention. In the unlikely event of such an occurrence, or if you require any information about the product, please contact us via our helpline support services, details of which are to be found both in this manual and on the product itself.

GB

IE

PRODUCED IN CHINA FOR:

ALDI STORES LTD. PO BOX 26, ATHERSTONE
WARWICKSHIRE, CV9 2SH

ALDI STORES (IRELAND) LTD.
PO BOX 726, NAAS, CO. KILDARE
Visit us at www.aldi.com

AFTER SALES SUPPORT

718358



GB 0121 36 80 339

IE 01 50 60 684



www.bestbuyingsupport.com

MODEL:
GF-001

03/2022

3
YEAR
WARRANTY