

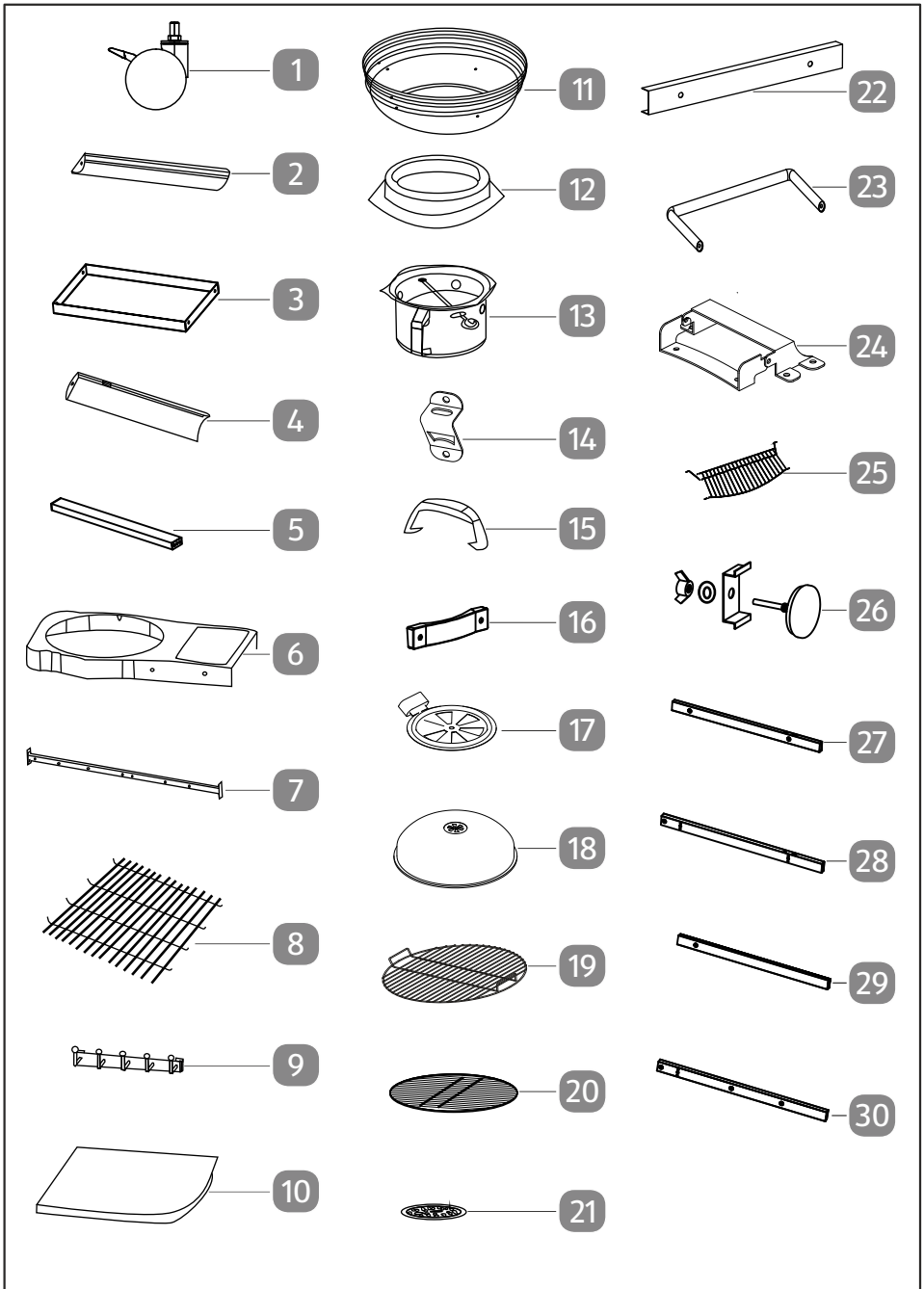


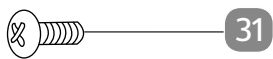
Assembly Instructions

GARDENLINE®

KETTLE BBQ TROLLEY







Scope of delivery/product components

Before starting to assemble, please check that all parts mentioned on the parts list are in the packaging. Unwrap all packaging materials and place components on top of carton box or on a clean floor to prevent it from scratching. When assembling, tighten bolts loosely and after assembly is completed, tighten them fully. Avoid over tightening of nuts and bolts, this will cause damage to the bolts or other components of the product. Keep small parts out of reach of children.

Components

- | | |
|-----------------------------|------------------------------|
| 1 Wheel (×4) | 16 Heat Shield (×1) |
| 2 Front Leg Cover (×1) | 17 Air Vent (×1) |
| 3 Right Panel (×1) | 18 Lid (×1) |
| 4 Rear Leg Cover (×1) | 19 Cooking Grid (×1) |
| 5 Short Strut (×3) | 20 Charcoal Grid (×1) |
| 6 Table support (×1) | 21 Air Supply (×1) |
| 7 Storage Support (×2) | 22 U-Profile (×1) |
| 8 Storage Net (×2) | 23 Handle (×1) |
| 9 Hook Strip (×1) | 24 Cover Hinge (×1) |
| 10 Table Top (×1) | 25 Warming Grid (×1) |
| 11 Fire Bowl (×1) | 26 Thermometer (×1) |
| 12 Ash Catcher Support (×1) | 27 Left Front Leg (LF) (×1) |
| 13 Ash Catcher (×1) | 28 Left Back Leg (LB) (×1) |
| 14 Bottle Opener (×1) | 29 Right Front Leg (RF) (×1) |
| 15 Handle (×1) | 30 Right Back Leg (RB) (×1) |

Connecting elements supplied

- | | |
|-----------------------------|--------------------------|
| 31 M6×12 Screw (×8) | 38 M6 nut (×8) |
| 32 M6×12 Screw (Black) (×2) | 39 M6 Butterfly nut (×6) |
| 33 Washer Ø16 (×13) | 40 M6×20 Screw (×2) |
| 34 M5×10 bolt, Screw (×4) | 41 M6×15 Screw (×21) |
| 35 Spring Washer Ø5 (×1) | 42 M6×25 Screw (×2) |
| 36 M5×10 Butterfly nut (×1) | 43 Washer Ø19 (×2) |
| 37 M5 nut (×3) | 44 M6x30 Screw (6x) |

Required tools (not included)

- | | | | |
|--|---|---------------------|---|
| 45 Slot or Phillips
screwdriver PH2 |  | 46 Wrench size 10mm |  |
| 47 Wrench size 8mm |  | 48 Wrench size 17mm |  |

Table of content

Overview	2
Scope of delivery/product components	4
General information	7
Reading and storing the assembly instructions	7
Intended use	7
Explanation of symbols	7
Safety	7
Safety notes	8
Assembly instruction	10
Step 1: Assemble the legs	11
Step 2: Assemble wheels and storage	13
Step 3: Assemble the handle	15
Step 4: Assemble the bottle opener	15
Step 5: Assemble the table top	16
Step 6: Assemble and fix the fire bowl	17
Step 7: Assemble and fix the lid	19
Step 8: Assemble the grids	20
Use	22
The First Time You Grill	23
Prepare And Light The Barbecue	23
Grilling	23
Refilling charcoal	24
Cleaning	25
Storage	25
Technical data	26
Disposal	26
Disposing of packaging	26
Product disposal	26

General information

Reading and storing the assembly instructions



These assembly instructions are a part of the Kettle BBQ Trolley (hereinafter simply called "product"). They contain important information about assembly and use.

Read the assembly instructions carefully, in particular the safety instructions, before using the product. Failure to follow these assembly instructions may lead to severe injuries or product damage.

The assembly instructions are based on the standards and regulations that are valid with the country-specific directives and laws.

Keep the assembly instructions for future reference. If you pass this product on to a third party, you must also supply the assembly instructions.

Intended use

The barbecue is exclusively intended for outdoor use to cook, broil or heat food.

It is exclusively intended for private use and not for the commercial sector.

Only use the barbecue as described in these assembly instructions. Any other use is considered improper and may lead to product damage or even personal injury. Do not modify the barbecue. The barbecue is not a toy.

The manufacturer or retailer assumes no liability for damage caused by improper or incorrect use.

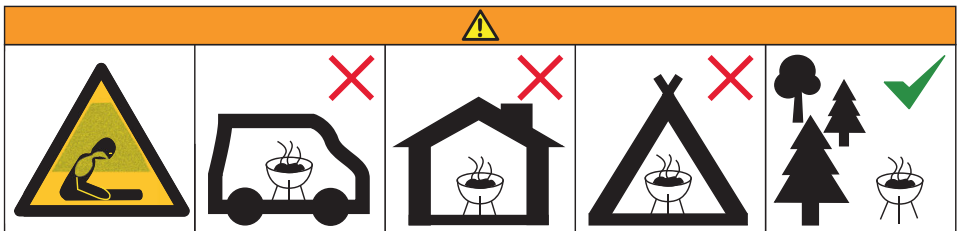
Explanation of symbols

The following symbols are used in these assembly instructions, on the product or on the packaging.



This symbol provides you with useful additional information on handling and use.

Safety



Safety

WARNING! Do not use the barbecue in a confined and/or habitable space e.g. houses, tents, caravans, motor homes, boats. Danger of carbon monoxide poisoning fatality.

The following signal words are used in these assembly instructions.

WARNING!

This signal symbol/word denotes a hazard with an average risk level that could lead to death or severe injury if it is not avoided.

CAUTION!

This signal symbol/word denotes a hazard with a low risk level that could lead to mild or moderate injury if it is not avoided.

NOTE!

This signal word provides a warning about potential material damage.

Safety notes

General Safety Notes

- **WARNING!** This barbecue will become very hot, do not move it during operation.
- Do not use indoors!
- Do not use this grill under any overhead combustible construction.
- **WARNING!** Do not use spirit or petrol for lighting or re-lighting! Use only firelighters complying to EN 1860-3!
- Do not use this grill within 1.5 m of any combustible material. Combustible materials include, but are not limited to, wood or treated wood decks, patios, and porches.
- Use heat-resistant barbecue mitts or gloves (conforming to EN 407, Contact Heat rating level 2 or greater) while cooking, adjusting air vents (dampers), adding charcoal, and handling thermometer or lid.
- Use proper tools, with long, heat-resistant handles.
- Do not use water to extinguish burning fat. Close the lid and air vents to remove all oxygen from the flame.
- Never dump hot charcoal or ashes where it might be stepped on or be a fire hazard.

-
- Never dump ashes or charcoal before they are fully extinguished.
 - Allow the barbecue to cool down completely before cleaning it.
 - During use, the screw connections can loosen and adversely affect the stability of the barbecue. Verify the strength of screw connections before each use. If necessary, tighten all screws again to ensure a firm footing.

Risks for persons

- This barbecue may be used by persons with reduced physical, sensory or mental abilities or lack of experience or knowledge if they have been supervised or instructed in the safe use of the appliance and have understood the risks arising.
- Keep packaging film, styrofoam, or small parts away from children. Danger of suffocation!
- **WARNING!** Keep children and pets away!
- The barbecue will be hot during cooking, and should never be left unattended.
- Do not wear clothing with loose flowing sleeves while lighting or using the barbecue.
- Never bend over the hot barbecue during grilling.
- The use of alcohol, prescription, or nonprescription drugs may impair the consumer's ability to properly assemble or safely operate the barbecue.
- Never touch metal parts. They may be very hot.
- Touch the barbecue only on the handles.
- The barbecue may have sharp edges where you could cut yourself. Use working gloves when unpacking, assembling, cleaning and maintaining the barbecue.

Before Use

- Keep the barbecue on a secure, level surface at all times, clear of combustible material.
- Do not place the barbecue close to entrances or busy areas, such as roads.

Safety

- The barbecue must not be transported while it is still hot!
- Do not use the barbecue with liquid fuels.
- Be prepared for a fire or an accident. Always have a fire extinguisher and a first aid kit ready.
- Max. fuel capacity: 1.5kg of charcoal.

Instructions for lighting

- Build a pyramid of charcoal in the centre of the charcoal grate and insert a couple of lighter cubes according to EN 1860-3 within the pyramid.
- Always put charcoal on top of the charcoal (lower) grid. Do not put charcoal directly in the bottom of the bowl.
- Light the charcoal in an area protected from wind.
- Use a long match or lighter, light the lighter cubes.
- It is recommended that the barbecue be heated up and the charcoal kept red hot, with the lid on, for at least 30 minutes prior to cooking for the first time.
- After ca. 30 minutes the charcoal is fully lit when it is covered with a coating of white ash. Then spread the charcoal evenly across the charcoal grid.
- Do not cook before the charcoal has a coating of ash.

Assembly instruction

▲ CAUTION!

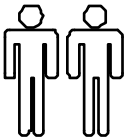
Risk of injury!

Some parts of the barbecue might have sharp edges. Touching these parts can cause cuts.

- Wear protective gloves!

Use the following instructions and graphics to assemble the barbecue:

- Complete each assembly step in the given order. Do not skip any step.
- Do not fully tighten the nuts and bolts before assembling all the parts.



At least two adults are required to assemble the barbecue



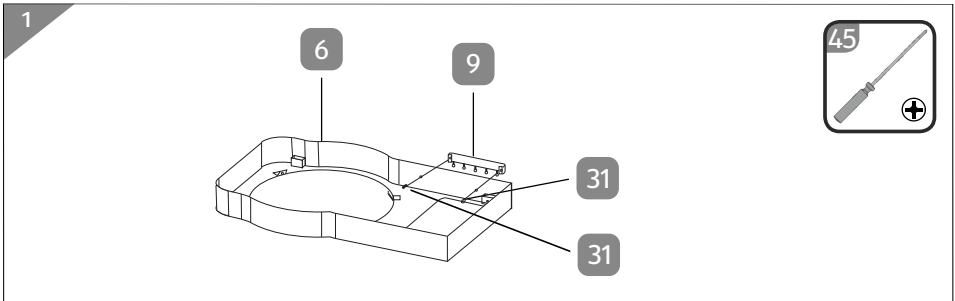
Wear protective gloves during assembly.



Before starting assembly, familiarise yourself with the individual parts.

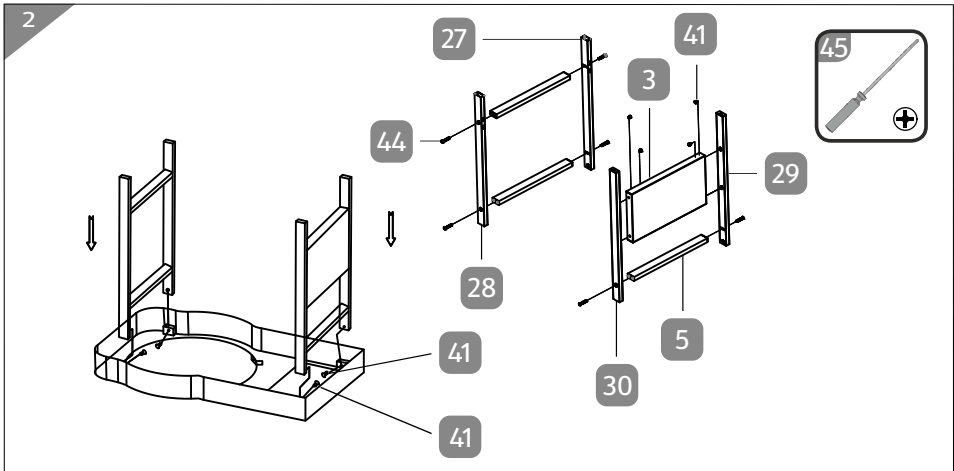
Step 1: Assemble the legs..... 11
Step 2: Assemble wheels and storage..... 13
Step 3: Assemble the handle..... 15
Step 4: Assemble the bottle opener..... 15
Step 5: Assemble the table top..... 16
Step 6: Assemble and fix the fire bowl..... 17
Step 7: Assemble and fix the lid.....19
Step 8: Assemble the grids.....20

Step 1: Assemble the legs



1. First take the table support **6** and place it, upside down, on a clean and smooth surface.
2. Attach the hook strip **9** on the front-side with two screws **31** (M6x12). (Screwdriver **45**).

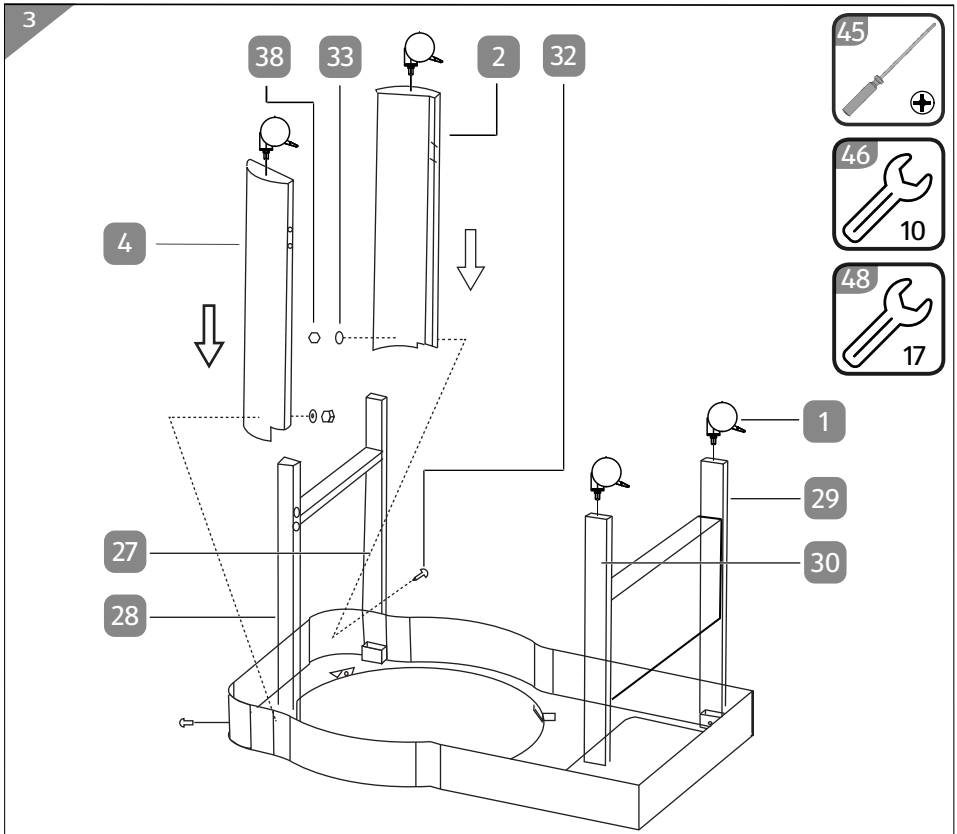
Assembly instruction



3. Connect the Short Struts **5** with the Legs **27**, **28**, **29** and **30** by using the 6 x M6x30 Screws **44** (Screwdriver **45**).
4. Attach the Right Panel **3** between the Right Legs **29** and **30** with four M6x15 Screws **41** (Screwdriver **45**).
5. Attach one leg modul (**27** / **28** with two short struts) to the bottom of the table (front/right), in the rectangle provisions. Make sure that the thread inserts are on the inside. Fix it, only loosely, with two M6x15 Screws **41**. (Screwdriver **45**).
6. Repeat step 5 with the second leg modul (front/left).
7. Attach the Front Leg Cover **2** with the free edge over the left front leg. Fix it with one screw **32** (M6x12 black), a washer **33** (Ø16) and a nut **38** (M6), using a screwdriver **45** and wrench **46**. (See Figure 3).
8. Repeat step 7 with the Rear Leg Cover **4** for the back/left position.
9. Tighten the screws you positioned in step 5 and 6.

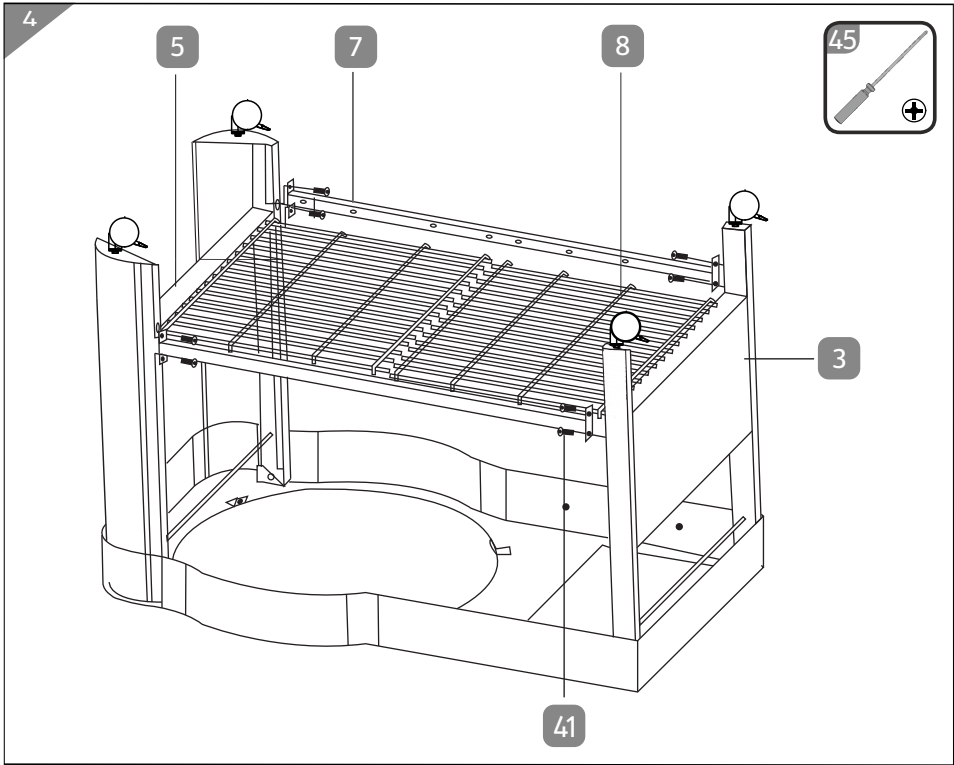
Legs are assembled.

Step 2: Assemble wheels and storage



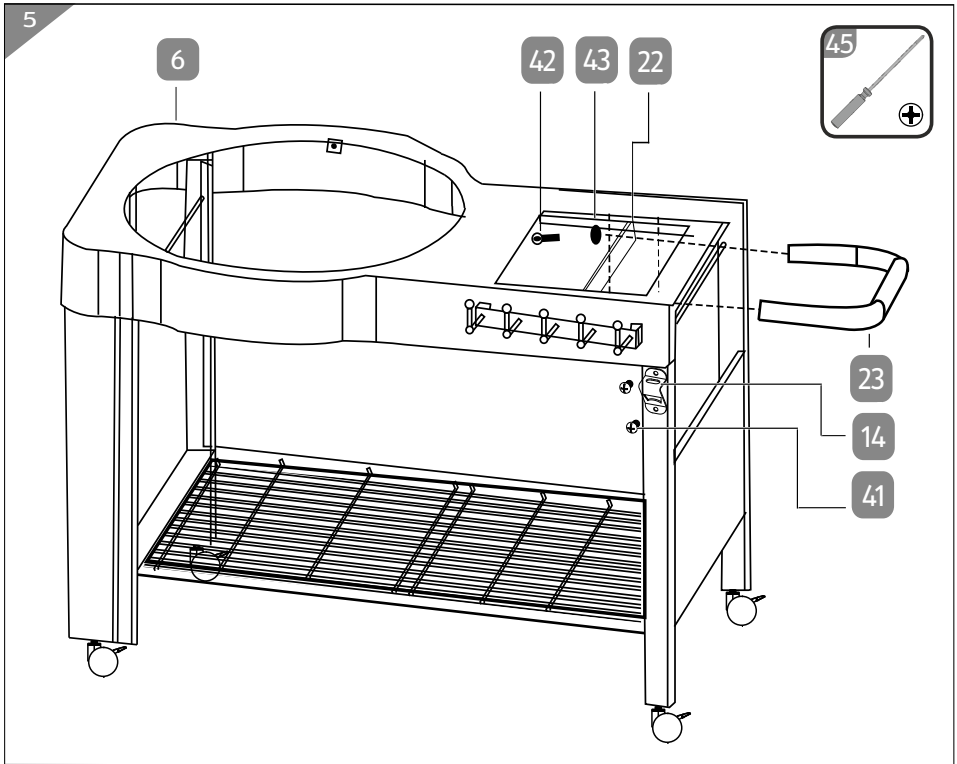
1. Take all wheels **1** (4pcs) and screw them on the left legs **27** and **28** and the right legs **29** and **30**.

Assembly instruction



2. Attach the Storage Supports **7**, with holes on the inside, on the leg moduls **3** and **5**. Use four screws **41** (M6x15).
3. Attach the Storage Nets **8**, put the wire ends into the holes of part **7**. Repeat step 2 with the second part **7** and four screws **41** (M6x15).
Be sure that all screws are firmly fixed.
4. Turn over the barbecue and put it on the wheels, for further mounting work.
Wheels and storage are assembled.

Step 3: Assemble the handle



1. On the top / right position (inside the barbecue) attach the U-profile, using two screws **42** (M6x 25) and washers **43** (Ø19).
2. Attach handle **23** on the outside and fasten the screws.
3. Tighten the screws as necessary.

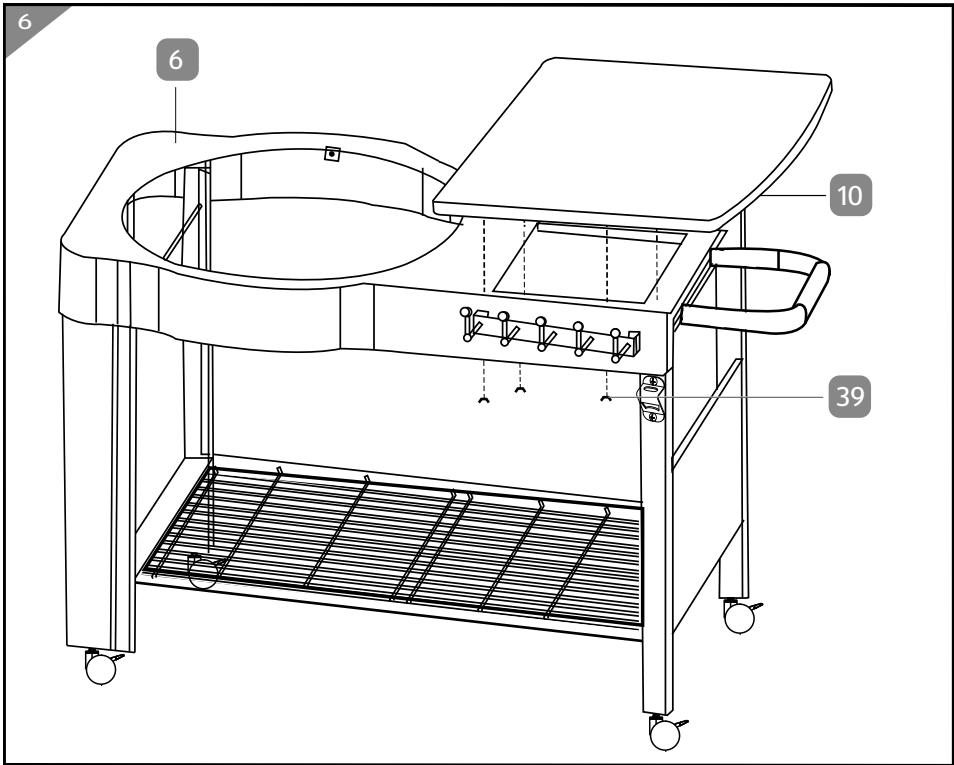
The handle is attached.

Step 4: Assemble the bottle opener

1. Attach the bottle opener **14** to the right front leg with two screws **41** (M6x15).

The bottle opener is attached.

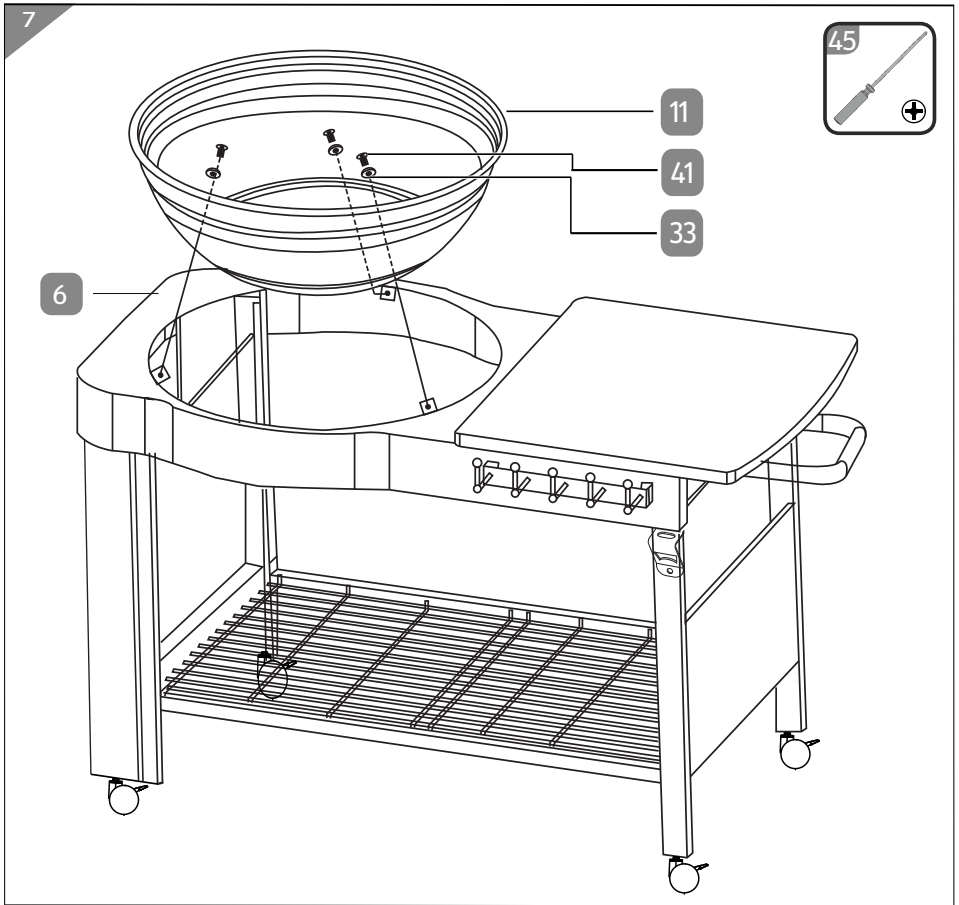
Step 5: Assemble the table top



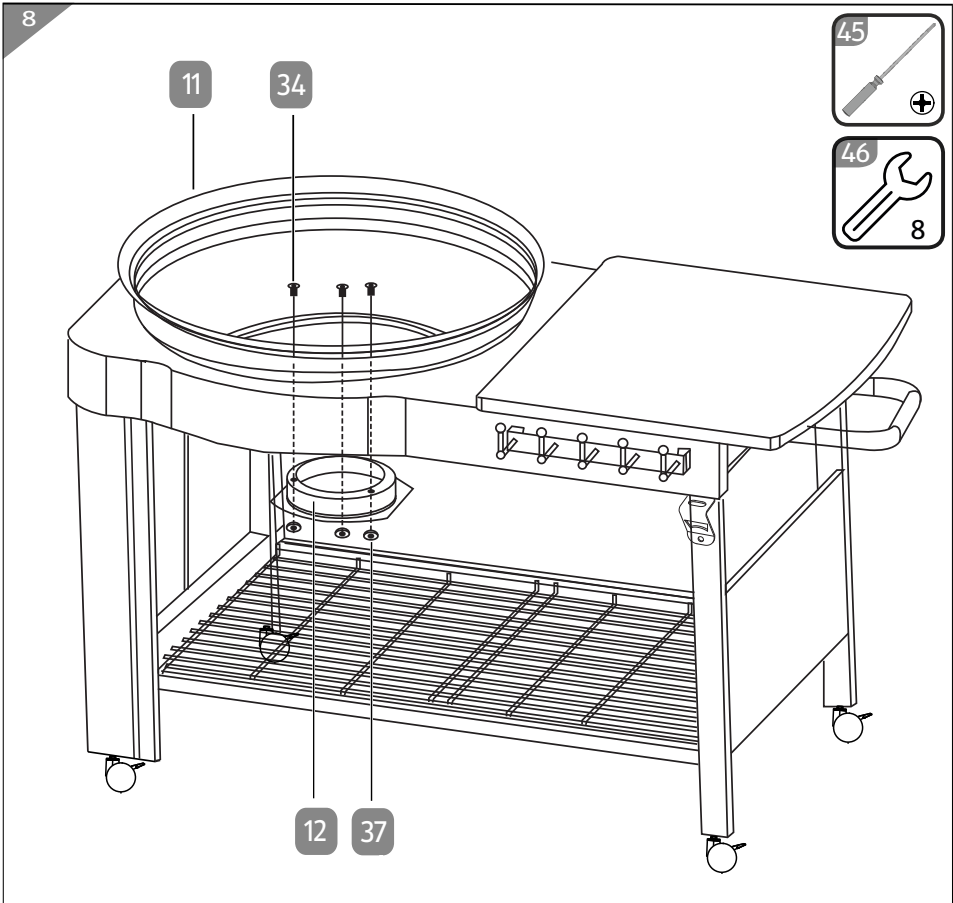
1. Position the table top **10** on the table support **6**. Check the studs (screws) are in the provided holes.
2. Use four butterfly nuts **39** (M6) and secure the table top to the table support.
3. Tighten the butterfly nuts as necessary.

Table top is assembled.

Step 6: Assemble and fix the fire bowl



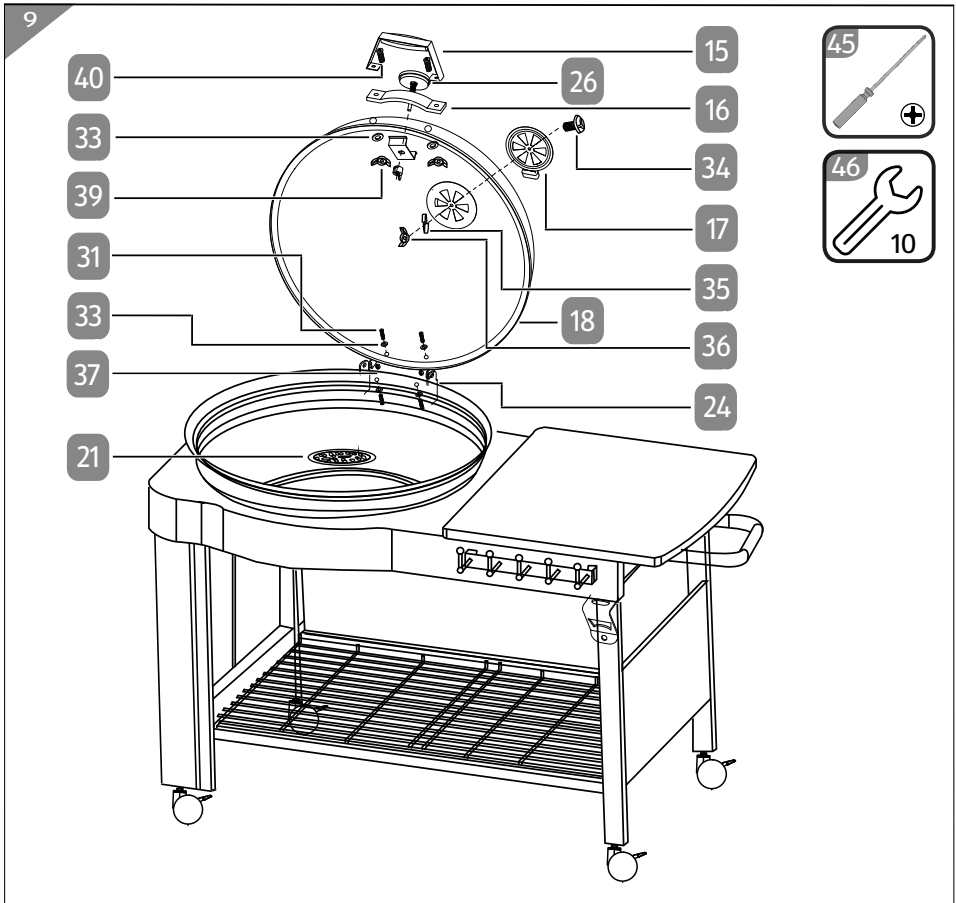
1. Take the fire bowl **11** and position it into the hole. Make sure the holes in the fire bowl are aligned with the holes on the table.
2. Attach the fire bowl **11** to the table **6** with three screws **41** (M6x15) including washers **33** (Ø16).



3. Mount the ash catcher support **12** underneath the fire bowl **11**. Use three screws **34** (M5x10) and nuts **37** (M5). Align the holes on the fire bowl with the holes on the ash catcher.
4. Lay the air supply **21** into the bottom/middle of fire bowl **11**. See step 7, figure 9.

The fire bowl is assembled and fixed.

Step 7: Assemble and fix the lid



1. Take the handle **15**, the heat shield **16** and the lid **18**. Use two screws **40** (M6x20), washers **33** (Ø16) and butterfly nuts **39** (M6) to fix the handle on lid.
The handle is fixed on the lid.
2. The air vent **17** has to be mounted with the screw **34** (M5x10), the spring washer **35** (Ø5) and a butterfly nut **36** (M5).
3. Insert the screw across the air vent, the lid, and the spring washer and fix it with the butterfly nut in only moderate manner.
Check the air vent for turnability.
The vent control is now well mounted and ready for use.

Assembly instruction

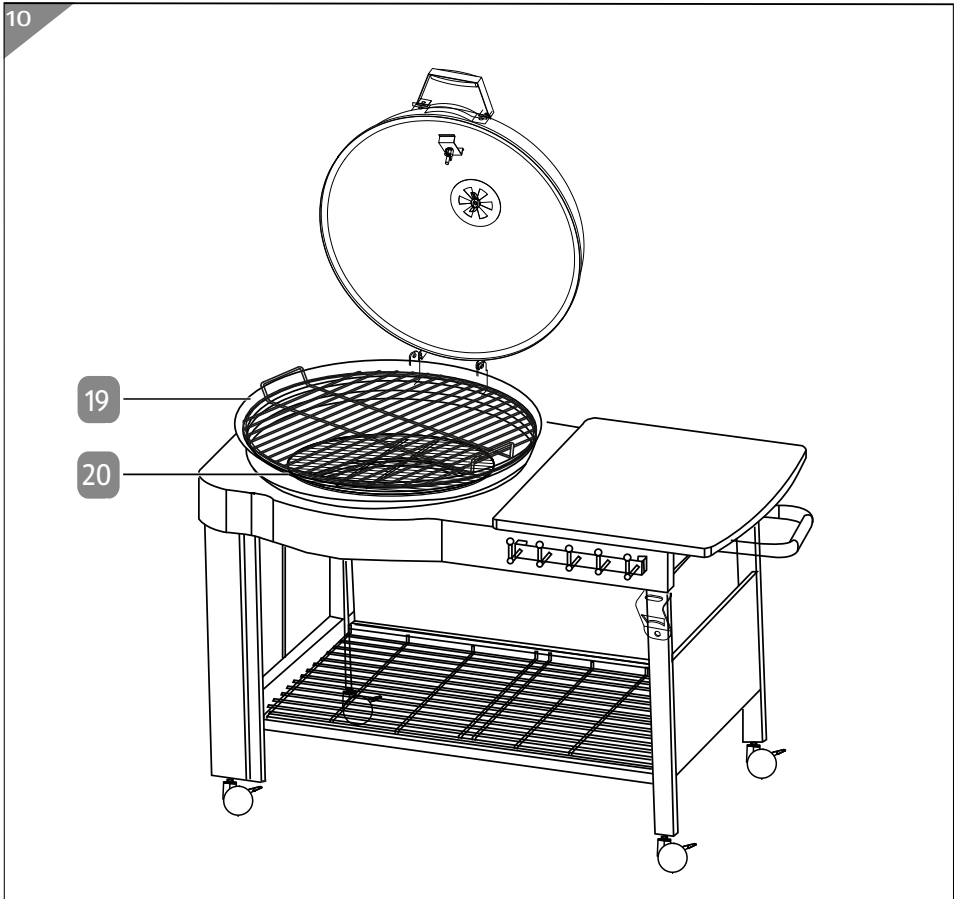
- Put the thermometer **26** into the front hole on the lid **18**. Inside assemble the spring-parts on the thermometer with the butterfly nut.

The thermometer is assembled.

- Take the cover hinge **24** and four screws **31** (M6x12), washers **33** (Ø16) and nuts **38** (M6). Position the hinge on the back/outside of the fire bowl. Put the screws and washers on the inside and fix it with the nuts on the outside.
- Attach the lid to the hinge with two screws **31** (M6x12), washers **33** (Ø16) and nuts **38** (M6). Put the screws and washers on the inside of the lid and fix them with the nuts on the outside.

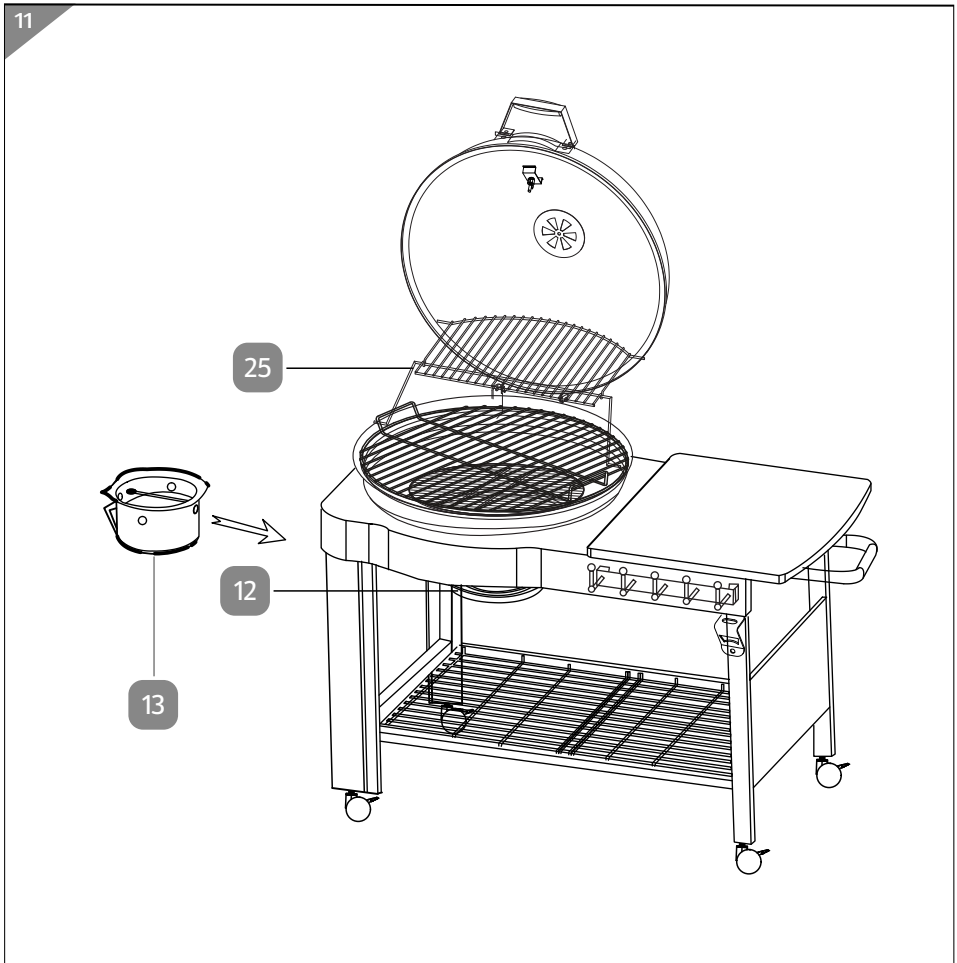
The lid is assembled and fixed.

Step 8: Assemble the grids



1. The smallest grid is the charcoal grid **20**. This is the lowest grid in the fire bowl.
2. The second grid, cooking grid **19**, is on diameter the biggest one and has two handles. This is correct positioned on the top edge of the fire bowl.
3. The third grid, warming grid **25**, is the top one. It is positioned with the rounded side to the back and the two pins into the holes of the lid and the other two pins into the holes of the fire bowl. See figure 11.

The grids are positioned.



4. Slide the ash catcher **13** on the ash catcher support **12** underneath the fire bowl.

Assembling of the Kettle BBQ Trolley is finished.

Use

⚠ WARNING!

Risk of burns

This barbecue will become very hot! Touching may cause burn injuries.

- Use heat-resistant barbecue mitts or gloves (conforming to EN 407, Contact Heat rating level 2 or greater) while cooking, adjusting air vents (dampers), adding charcoal, and handling thermometer or lid.
- Use proper tools, with long, heat-resistant handles.
- Never touch the cooking or charcoal grid, ashes, charcoal, or the grill to see if they are hot.
- Let the steam escape first, if you open the lid.
- **WARNING!** Keep children and pets away!

⚠ WARNING!

Risk of fire

The barbecue will be hot during cooking! Combustible materials nearby may ignite.

- Do not use indoors!
- Do not use under roofed areas.
- Make sure there are no combustible fumes or liquids, such as petrol, alcohol, etc., in the vicinity of the barbecue,
- Do not use this grill within 1.5 m of any combustible material. Combustible materials include, but are not limited to, wood or treated wood decks, patios, and porches.
- Do not use the grill in high winds.
- Have a fire extinguisher ready.

The First Time You Grill

1. Before first use clean all parts to come into contact with foodstuffs especially the cooking grid **19** and the warming grid **25**, according to chapter "Cleaning".
2. It is recommended that the barbecue be heated up and the charcoal kept red hot, with the lid on, for at least 30 minutes prior to cooking for the first time.

Prepare And Light The Barbecue

Observe the safety notes, especially „Before Use“ and „Instructions for lighting“

1. During use, the fittings may loosen and impair the stability of the barbecue. Therefore, check the strength of the fittings before each use. If necessary, tighten screws to ensure a firm footing.
2. Keep the barbecue on a secure, level surface at all times, clear of combustible material.

Do not place the barbecue close to entrances or busy areas, such as roads.

3. Open the lid **18** and remove the cooking grids **19** and the warming grid **25** if necessary.
4. Place the charcoal grid **20**.
5. Build a pyramid of charcoal in the centre of the charcoal grid and insert a couple of lighter cubes according to EN 1860-3 within the pyramid.

WARNING! Do not use spirit or petrol for lighting or re-lighting! Use only firelighters complying to EN 1860-3!

For safety reasons, the barbecue must not be operated with liquid fuel.

Never place more than the maximum permissible amount of charcoal in the chambers of the barbecue, see "Technical data".

Always put charcoal on top of the charcoal grid. Do not put charcoal directly in the bottom of the chamber.

6. Only light charcoal in wind-protected areas.
7. Use a long match or lighter, light the lighter cubes.
8. After approx. 30 minutes the charcoal is fully lit when it is covered with a coating of white ash. Then spread the charcoal evenly across the charcoal grid.

The barbecue is prepared for cooking.

Grilling



Do not cook before the charcoal has a coating of ash.

- Depending on the type of food, the lid **18** can be opened or closed. The lid should be closed for food that requires cooking for longer.

- To regulate the cooking temperature open or close the air vents on lid and ash catcher.
- On the warming grid **25** grilled food can be stored and, with closed lid, be kept warm.
- When finished cooking close the lid and air vents on lid and ash catcher to extinguish the charcoal.
- Allow the barbecue to cool completely and clean it according to chapter "Cleaning".

Refilling charcoal

Grilling time can be extended by refilling charcoal. Make sure that enough embers are still available on the charcoal grid **20** to reignite the added charcoal.

⚠ WARNING!

Risk of burns by flashes

Improper refilling of the grill with charcoal may cause burn injuries.

- Use heat-resistant barbecue mitts or gloves (conforming to EN 407, Contact Heat rating level 2 or greater) while cooking, adjusting air vents (dampers), adding charcoal, and handling thermometer or lid.
 - Do not place lighter cubes on the embers or the refilled charcoal.
1. Open the lid **18** and remove the cooking grid **19** with the cooking grid handles
CAUTION! The cooking grid is hot! Use heat-resistant barbecue mitts or gloves to prevent burn injuries!
 2. Place the cooking grid on a heat resistant surface. Keep others away from the hot cooking grid!
 3. Carefully refill charcoal on the charcoal grid **20**. Make sure not to add too much charcoal.
 4. Reinstall the cooking grid.
 5. As soon as the smoke has settled and the charcoal is completely burning, you can continue cooking.



Do not cook before the charcoal has a coating of ash.

Cleaning

WARNING!

Risk of burns

This barbecue will become very hot! Touching may cause burn injuries.

- Allow the barbecue to cool completely before cleaning!

Clean the cooled barbecue after each use. Discoloration on the air vents, the lid, the charcoal grate and other parts are normal signs of use and are neither hygienically questionable nor a defect.



Do not use flammable or aggressive detergents, steel brushes, abrasives, or other hard objects that could scratch the surfaces.



Do not remove ashes until all charcoal is completely burned out and fully extinguished and barbecue is cool.

1. Allow the barbecue to cool completely before cleaning!
2. Open the lid **18** and remove the warming grid **25** and the cooking grid **19** with the cooking grid handles.
3. Remove and empty the charcoal grid **20**.
4. Sweep the ash in the bowl into the ash catcher, remove the ash catcher and empty it.

Remove the completely cooled ash regularly. As ash contains salt, it can cause rust when wet!

5. Clean the parts by hand with commercially available dishwashing detergent. In the case of heavy or burned soiling, also use special degreasing kitchen cleaners (observe instructions of the respective manufacturer!).
6. Clean the inside and outside surfaces with warm soapy water and a sponge.
7. Allow all parts to dry completely before reinstalling.

Storage

1. Allow the barbecue to cool completely and clean it according to chapter "Cleaning".
2. Use handle and wheels to relocate the barbecue.
3. Check the strength of the fittings. If necessary, tighten screws to ensure a firm footing.

Storage

4. Clean the barbecue and allow it to dry completely.
5. Only cover the BBQ when it is raining to avoid waterlogging.
6. Store the barbecue at a dry place protected from the elements when not in use.

Technical data

Model:	KT-003
Dimensions (B × H × T):	114 × 65.5 × 100 cm
Weight:	approx. 21.2 kg
Fuel:	Charcoal
Max. fuel capacity:	1.5 kg
Item number	718436/718437

Disposal

Disposing of packaging



Dispose of packaging according to type. Sort the paperboard and cardboard as waste paper and the film as recyclable material.

Product disposal

Dispose of the product in line with the guidelines and disposal regulations applicable in your country.



Great care has gone into the manufacture of this product and it should therefore provide you with years of good service when used properly. In the event of product failure within its intended use over the course of the first 3 years after date of purchase, we will remedy the problem as quickly as possible once it has been brought to our attention. In the unlikely event of such an occurrence, or if you require any information about the product, please contact us via our helpline support services, details of which are to be found both in this manual and on the product itself.

GB

IE

PRODUCED IN CHINA FOR:

ALDI STORES LTD. PO BOX 26, ATHERSTONE
WARWICKSHIRE, CV9 2SH

ALDI STORES (IRELAND) LTD.
PO BOX 726, NAAS, CO. KILDARE
Visit us at www.aldi.com

AFTER SALES SUPPORT

718436/718437



GB 0121 36 80 339

IE 01 50 60 684



www.bestbuyingsupport.com

MODEL:
KT-003

03/2022

3

**YEAR
WARRANTY**