

WARRANTY CARD

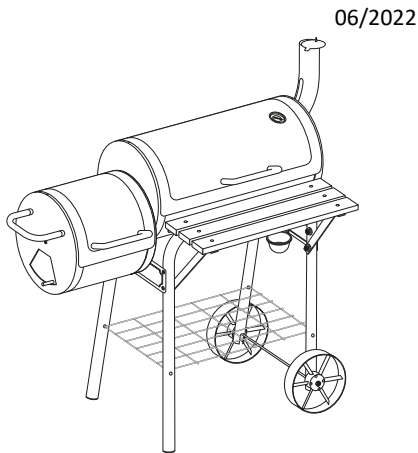
GB

IE

GARDENLINE®

SMOKER BBQ

Please contact our **AFTER SALES SUPPORT** by phone or e-mail before sending in the device.
This allows us to provide support in the event of possible operator errors.



MODEL:

SM-005

AFTER SALES SUPPORT



0121 36 80 339 (GB) | 01 50 60 684 (IE)



support_aldi@ubgdistribution.com

PRODUCT CODE

718423

SERVICE CENTER

UBG Distribution B.V.
Wethouder van
Haperenstraat 40 4813 AM
Breda Noord-Brabant
The Netherlands

Description of malfunction:

Your details:

Date and location of purchase: _____

Name: _____

Address: _____

E-Mail: _____ 

Warranty conditions

Dear Customer,

The **ALDI warranty** offers you extensive benefits:

Warranty period:	3 years from date of purchase. 6 months for wear parts and consumables under normal and proper conditions of use (e.g. rechargeable batteries).
Costs:	Free repair/exchange No transport costs
Hotline:	0121 36 80 339 (GB) 01 50 60 684 (IE) Standard local landline callrate.
Phone lines available:	Monday to Friday, 8am-5pm

Please contact our **AFTER SALES SUPPORT** by phone or e-mail before sending in the device. This allows us to provide support in the event of possible operator errors.

In order to make a claim under the warranty, please send us:

- The faulty item together with the original purchase receipt and the completed warranty card
- The product with all components included in the packaging

The warranty does not cover damage caused by:

- **Accident or unanticipated events** (e.g. lightning, water, fire)
- **Improper use or transport**
- **Disregard of the safety and maintenance instructions**
- Other **improper treatment or modification** of the product

After the expiry of the warranty period, you still have the possibility to have your product repaired at your own expense. If the repair or the estimate of costs is not free of charge you will be informed accordingly in advance.

This warranty does not affect your statutory rights. In the event that a product is received for repair, neither the service company nor the seller will assume any liability for data or settings possibly stored on the product by the customer.
